



**CERVELLATI**  
Perfecting Performance  
EXSTO GROUP

## RUBBER ACCESSORIES FOR ALL RIFLES AND SHOTGUNS

Find the perfect solution to  
improve the comfort and to  
reduce the recoil of the shot

With 70-years experience in manufacturing technical products  
in rubber, we serve market leaders such as Beretta, Benelli,  
Browning, Blaser and many others.





Thickness: 15 mm, 23 mm, 32 mm  
 Holes distance: 80 mm or 92 mm  
 Hardness: SOFT and EXTRASOFT  
 Colours: Black, red and brown  
 TEMPLATE "CERV001" PAGE 9

STANDARD  
TEXTURE



Thickness: 15 mm and 23 mm  
 Holes distance: 80 mm or 92 mm  
 Hardness: SOFT and EXTRASOFT  
 Colours: Black, red and brown  
 TEMPLATE "CERV001" PAGE 9

LEATHER  
EFFECT

# MICRO-CELL GRIND-TO-FIT

Microcell is the **softest** and **lightest** recoil pad on the market. In addition to our famous standard models, new grind-to-fit designs are now available.

Find the perfect recoil pad for your needs!



SLOPING-HEAD  
MICROCELL PAD



Dimensions:  
131 x 45.2 mm

217318: H 15mm thick      Weight: 52 g

217319: H 23.5mm thick      Weight: 65 g

Hardness: SOFT

Holes distance: 80-85 mm

TEMPLATE "CERV002" PAGE 9



SMALL AND SMOOTH  
RECOIL PAD

Code 214665

Suitable for smaller stocks

Dimensions: 130 x 47 x H 23 mm


Weight: 59 g

Hardness: EXTRASOFT

Holes distance: 82 mm

Black only

# MICROCELL GRIND-TO-FIT



**CURVED MICROCELL**

**new**

Dimensions: 146 x 48 mm  
217310: H 16.5 mm thick Weight: 62 g  
217311: H 25 mm thick Weight: 96 g  
Holes distance: 92 mm  
TEMPLATE "CERV001" PAGE 9



**TRAP MICROCELL**

**new**

Dimensions: 146 x 48 mm  
217314: H 16.5 mm thick Weight: 62 g  
217315: H 25 mm thick Weight: 82 g  
Holes distance: 92 mm  
TEMPLATE "CERV001" PAGE 9

The large family of Microcell pads welcomes four new grind-to-fit models. Same extra-light material, same outstanding recoil absorption, but brand new design! These recoil pads can be ground to match any stock butt, and their ergonomic shape guarantees great stability while raising the gun and during the shot.



**FLAT MICROCELL**

**new**

The THINNEST recoil pad!  
Only 11 mm

Dimensions: 146 x 48 mm  
217322: H 11 mm thick Weight: 60 g  
217323: H 23 mm thick Weight: 79 g  
Holes distance: 92 mm  
TEMPLATE "CERV001" PAGE 9

# READY - TO - FIT MICRO-CELL

INNOVATIVE DESIGN · NO GRINDING REQUIRED



216097

Ideal for the following guns:

- Remington 700 BDL Wood
- Verona 20
- Winchester Super X
- and most of Savage guns

Holes distance: 78.5 mm

Weight: 52 g

TEMPLATE "CERV003" PAGE 9



216098

Ideal for the following guns:

- Remington 700 SPS Synthetic  
(plastic spacer 216099 required for 700 SPS)
- Browning B725
- Beretta hunting stocks

Holes distance: 82 mm

Weight: 56 g

TEMPLATE "CERV004" PAGE 10

## RUBBER ACCESSORIES



CHEEK-PIECE

202553 Cheek-piece

L 140 x W 80 x 14 mm

Weight: 87 g

Black and brown

Glue or double-face tape can be used to stick it onto the stock.

202591 N°1: 5 mm thick

202595 N°2: 10 mm thick

202599 N°3: 15 mm thick

Weight: 35/40 g

Black and brown

Glue or double-face tape can be used to stick it onto the stock.

COMB-RAISER



# RUBBER ACCESSORIES

## 214577 SILICONE COMB-RAISER

L 200 x L 37 x H 26 mm Weight: 168 g

The stock elevator in soft silicone can be installed on any wood stock. Black only.

## 214697 ADJUSTABLE STEEL SYSTEM

It can be purchased with or without the comb-raiser.

Weight: 130 g

ADJUSTABLE  
COMB



SPACERS

202481: 4 mm thick Weight: 34 g

202482: 5 mm thick Weight: 37 g

202485: 6 mm thick Weight: 40 g

They can be ground to fit

L 146 x 50 mm

Black only

## INCLINED SPACER

Code 217646

L 147 x 50 mm Weight: 36 g

Holes distance: from 80 mm to 95 mm

Thickness: from 6 mm to 3 mm

Black plastic

Grind-to-fit any stock

new

STRAIGHT PITCH  
SPACER



FINGER-SAVE

202557 Finger-save without screw

L 30 x W 13 x H 16 mm Weight: 1.5 g

202562 Finger-save with screw

L 31 x W 13 x H 16 mm Weight: 2.5 g

Black only

# RUBBER RECOIL PADS




# RUBBER RECOIL PADS



**202367**

Type 64  
 H 26 x L 140 x W 50 mm  
 Holes distance: 80 mm  
 Weight: 152 g  
 brown, red, black



**202377**

Type 65  
 H 28 x L 140 x W 50 mm  
 Holes distance: 80 mm  
 Weight: 184 g  
 brown, red, black



**214568 and 214569**

Leather effect rubber pads  
 Holes distance: 80 mm  
 L 146 x W 48  
 214568: H 15mm Weight: 90 g  
 214569: H 23mm Weight: 140 g  
 brown, red, black  
 Template "CERV001" Page 9



**202462**

Type 84 Woodcock  
 H 28 x L 140 x W 50 mm  
 Holes distance: 80 mm  
 Weight: 175 g  
 black only

All our rubber recoil pads can be easily ground to fit any stock. The above stated weight refers to their original size before grinding.



**214594 and 214595**

Leather effect rubber pads  
 Holes distance: 92 mm  
 L 146 x W 48  
 214594: H 15mm Weight: 90 g  
 214595: H 23mm Weight: 140 g  
 brown, red, black  
 Template "CERV001" Page 9



**SLIP-ON RECOIL PADS**

202517 N° 2 : L 128 x 39 mm  
 Weight: 64 g

202522 N° 3 : L 130 x 42 mm  
 Weight: 75 g

202532 Standard : L 134 x 42 mm  
 Weight: 85 g

202527 N° 4 : L 135 x 49 mm  
 Weight: 95 g

Available in black and light brown natural rubber

# NEW RUBBER RECOIL PADS



	<b>CURVED RUBBER PADS</b>
	Dimensions: 145.5 x 47.7 mm Holes distance: 80-85 mm  217326: H 16.5mm    Weight: 123 g 217327: H 25 mm    Weight: 170 g TEMPLATE "CERV005" PAGE 10

<b>TRAP RUBBER PADS</b>	
Dimensions: 145.5 x 47.7 mm Holes distance: 80-85 mm  217330: H 16.5mm    Weight: 120 g 217331: H 25 mm    Weight: 171 g TEMPLATE "CERV005" PAGE 10	

	<b>FLAT RUBBER PADS</b>
	Dimensions: 145.5 x 47.7 mm Holes distance: 80-85 mm  217338: H 11 mm    Weight: 88 g 217339: H 23 mm    Weight: 143 g TEMPLATE "CERV005" PAGE 10





# NEW RUBBER RECOIL PADS



Still prefer traditional rubber recoil pads?

Cervellati patented an innovative solution to overcome the problem of heavy weight, common with rubber pads!

Three new shapes are now available in a soft rubber, and they can be ground to match any stock. Curved, trap and ultra-thin flat recoil pads can be reduced to a minimum size of 125 x 35.7 mm.

Their weight is significantly decreased thanks to wide cavities in the back, which also improve the absorption rate.

Easy to grind, perfect result and reduced weight!  
Available in red, brown and black.

The weight indicated refers to the original size of the recoil pads before grinding.



Our new sloping-head rubber pad is designed to make it easier and quicker to raise the gun. With a central cavity to reduce the weight, these recoil pads can be adapted to any hunting stocks.

## SLOPING-HEAD RUBBER RECOIL PADS

Dimensions: 131 x 45.2 mm

Holes distance: 80-85 mm

217334: H 15mm      Weight: 84 g

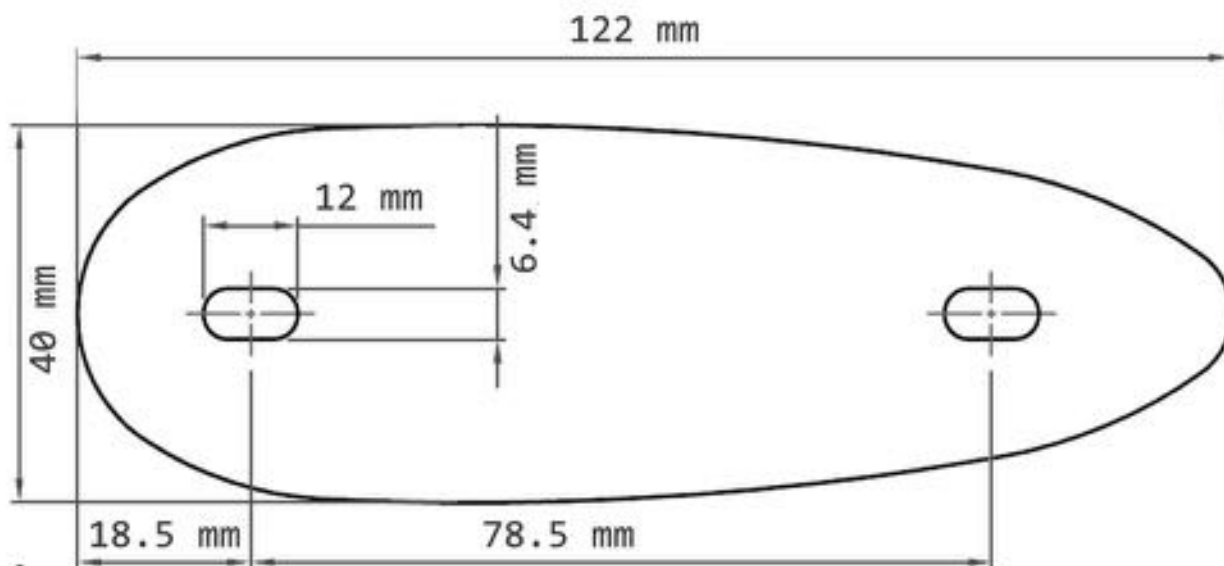
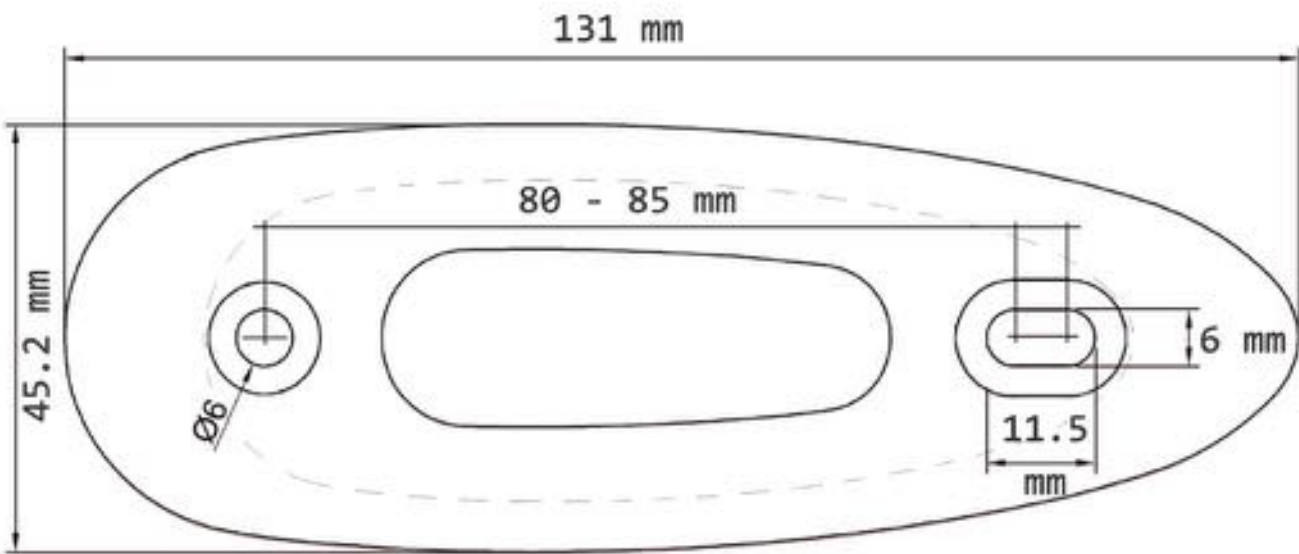
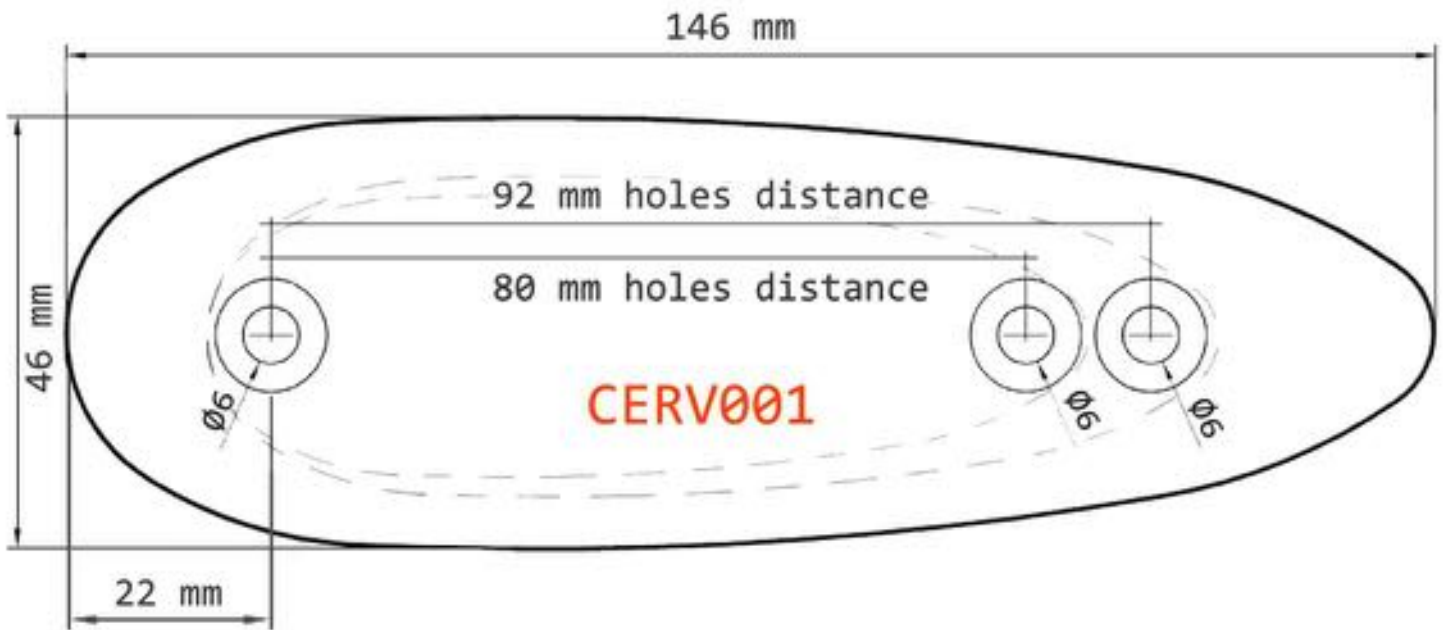
217335: H 23.5mm      Weight: 125 g

Grind-to-fit      Soft rubber

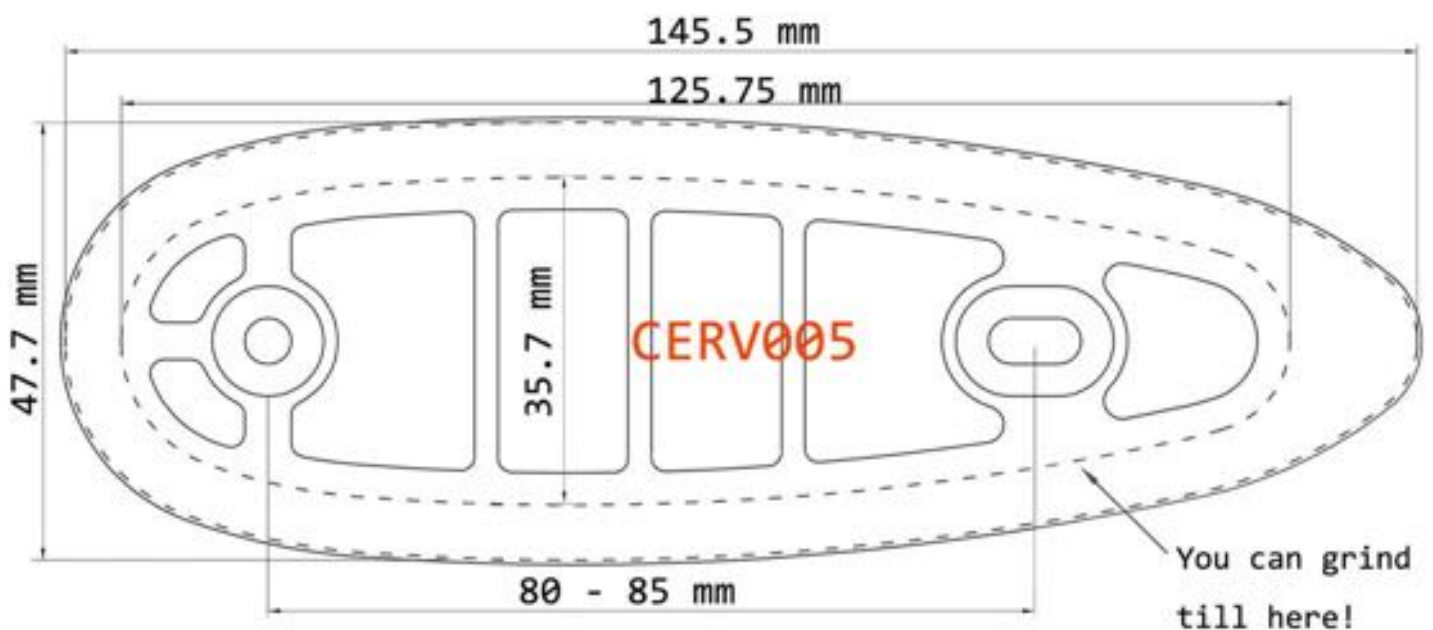
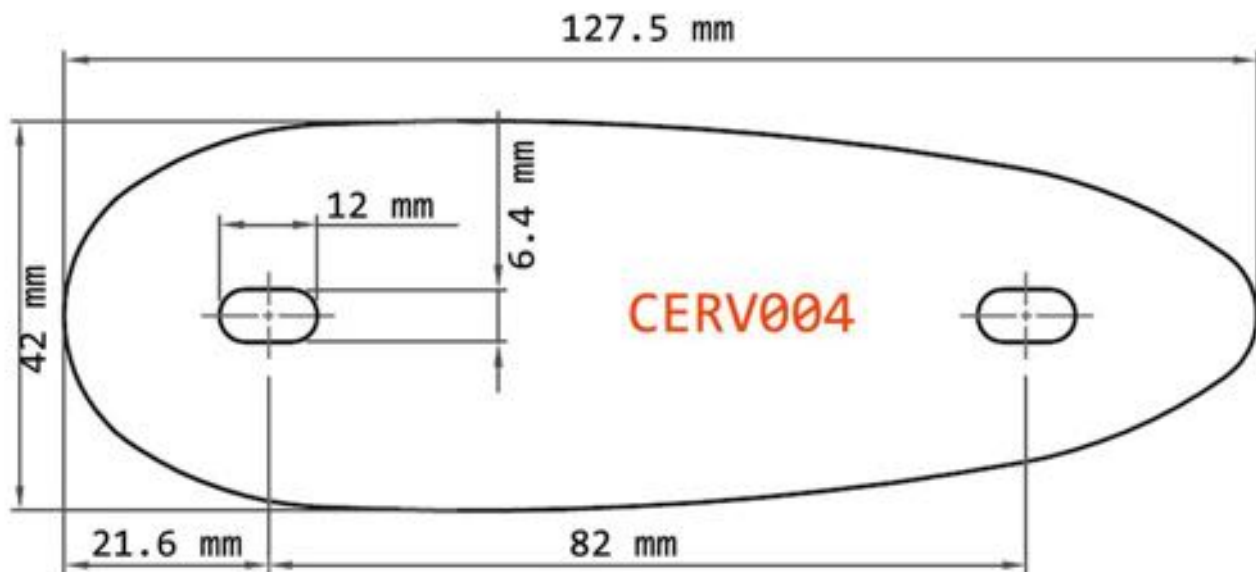
TEMPLATE "CERV002" PAGE 9



# RECOIL PAD TEMPLATES



# RECOIL PAD TEMPLATES



## FITTING TIPS

To grind the toe end of Microcell recoil pads, it is necessary to use a high-speed machine.

We recommend to employ a 400 grit sanding belt for finishing. The product does not melt, however failing to use a fine sanding belt might damage the pad external appearance.

Best results can be achieved by using a new and lubricated belt and the stock should be gently drawn close to the belt.

## ABOUT US

Thanks to more than 70-year experience in manufacturing industrial products for a variety of sectors, EXSTO can support its customers with deep technical know-how, in order to perfect their performance.

The main production lines are: rubber injection and compression molding, polyurethane and Vulkollan® casting, and technopolymer foam especially for the hunting and shooting industry.


We started producing recoil pads in the Fifties, and since then we've developed hundreds of models for the major European OEMs, such as Beretta, Benelli, Perazzi, Browning, Blaser, Merkel and many others.




The production facility and its internal process are certified according to the UNI EN ISO 9001:2015 regulations by the DNV organisation.

Thanks to its equipped metrologic lab, EXSTO guarantees the highest quality control on its production.

Produced by EXSTO Italia Srl - CERVELLATI Division.

 Via Remigia 20-24-26, 40068 San Lazzaro di Savena (BO), Italy

 +39 051 625 50 95

 Mrs. Annalisa Cervellati

 [www.exsto.it](http://www.exsto.it)

 [acervellati@exsto.it](mailto:acervellati@exsto.it)

